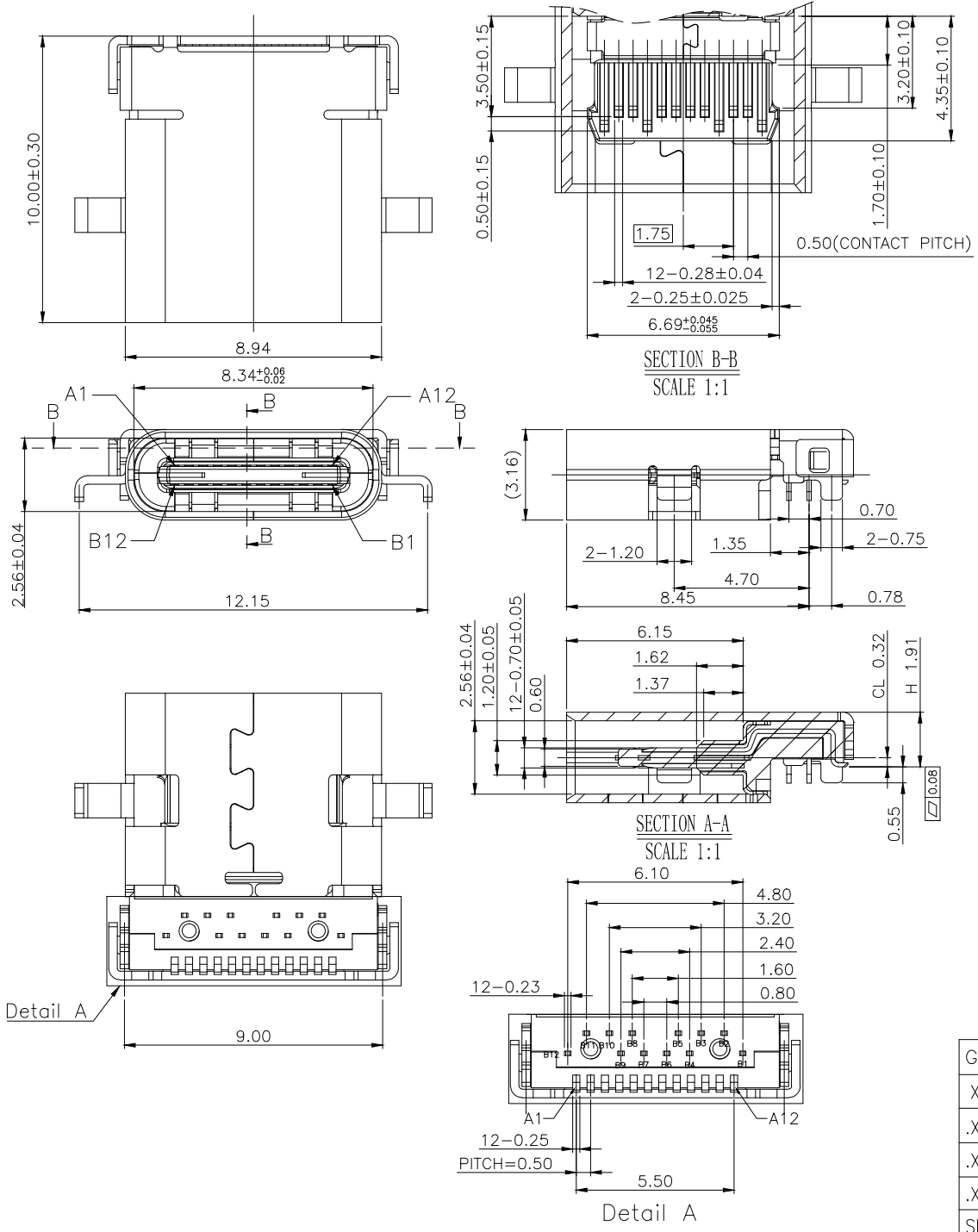


REV.	ECN.NO.	MODIFY.CONTENT	DATE
A		NEW	2019/05/29



NOTES:

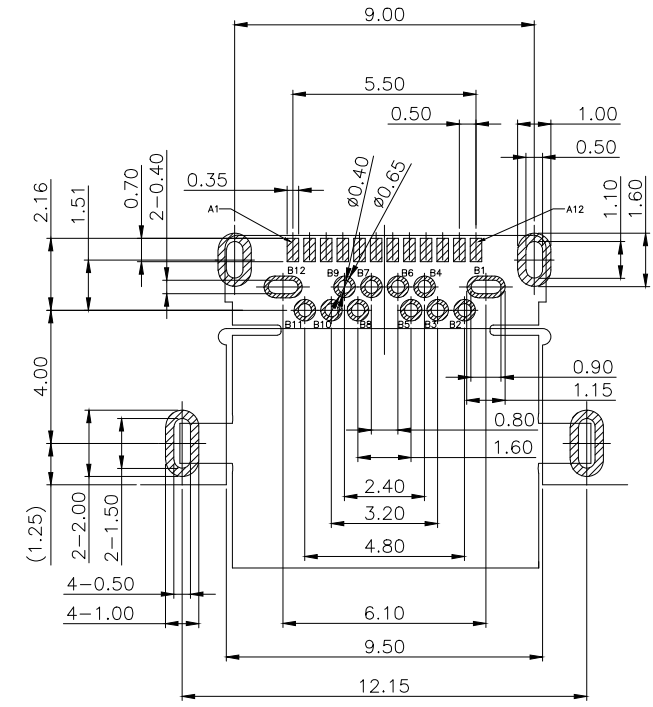
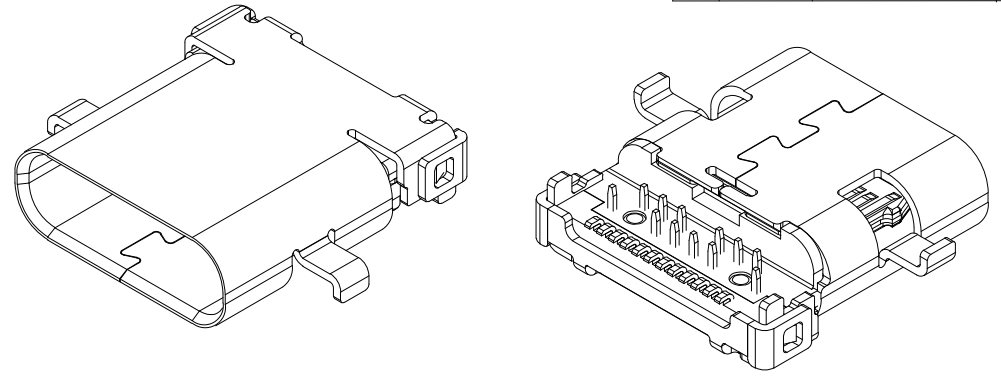
- 1.MATERIAL:**
MOLDING: LCP UL94 V-0
CONTACT:COPPER ALLOY.
GOLD PLATED Min ON CONTACT AREA,100u"
Min TIN (LEAD FREE) ON SOLDER AREA,
SHELL: SUS304-H,T=0.30±0.03mm
50u" NICKEL PLATING OVER ALL.
SHILD:SUS304-H,T=0.12±0.03mm
- 2.MECHANICAL:** INSERTION: 5~20N.
EXTRACTION: 8~20N.
DURABILITY: 10000 CYCLES
- 3.ELECTRICAL:**
CURRENT: 3A FOR VBUS;
1.25A FOR GND PIN.
0.25A FOR OTHER.
VOLTAGE: 20 V MAX
WITHSTANDING VOLTAGE: 100V AC.
CONTACT RESISTANCE: 40mΩ MAX.
INSULATION RESISTANCE: 100MΩ MIN.
- 4.ENVIRONMENTAL**
TEMPERATURE RANGE -55°C ~ +85°C

GENERAL TOLERANCE		DWG NO.	APPD:		WIND	Scale	1:1
X.±0.45	x.*±5°	Title	USB TYPE-C/F 24PIN 沉板1.25mm 前插后贴 L=10.00mm		CHKD:	UNIT	mm
.X±0.35	.x.*±2°		DR:	Date	2019/05/29		
.XX±0.25	.xx.*±1°	Part NO.	JYS-UTC125-133				
.XXX±0.15	.xxx.*±0.5°			Shenzhen			
SHEET	1/4			JYSCONN Electronics Co., LTD.			

REV.	ECN.NO.	MODIFY.CONTENT	DATE
A		NEW	2019/05/29

USB TYPE-C FULL-FEATURED RECEPTACLE INTERFACE PIN ASSIGNMENTS

PIN	Signal Name	Description		Signal Name	Description	
A1	GND	Ground return		B12	GND	Ground return
A2	SSTXp1	Positive half of first SuperSpeed TX differential pair		B11	SSRXp1	Positive half of first SuperSpeed RX differential pair
A3	SSTXn1	Negative half of first SuperSpeed TX differential pair		B10	SSRXn1	Negative half of first SuperSpeed RX differential pair
A4	VBUS	Bus Power		B9	VBUS	Bus Power
A5	CC1	Configuration Channel		B8	SBU2	Sideband Use (SBU)
A6	Dp1	Positive half of the USB 2.0 differential pair-Position 1		B7	Dn2	Negative half of the USB 2.0 differential pair-Position 2
A7	Dn1	Negative half of the USB 2.0 differential pair-Position 1		B6	Dp2	Positive half of the USB 2.0 differential pair-Position 2
A8	SBU1	Sideband Use (SBU)		B5	CC2	Configuraation Channel
A9	VBUS	Bus Power		B4	VBUS	Bus Power
A10	SSRXn2	Negative half of second SuperSpeed RX differential pair		B3	SSTXn2	Negative half of second SuperSpeed TX differential pair
A11	SSRXp2	Positive half of second SuperSpeed RX differential pair		B2	SSTXp2	Positive half of second SuperSpeed TX differential pair
A12	GND	Ground return		B1	GND	Ground return



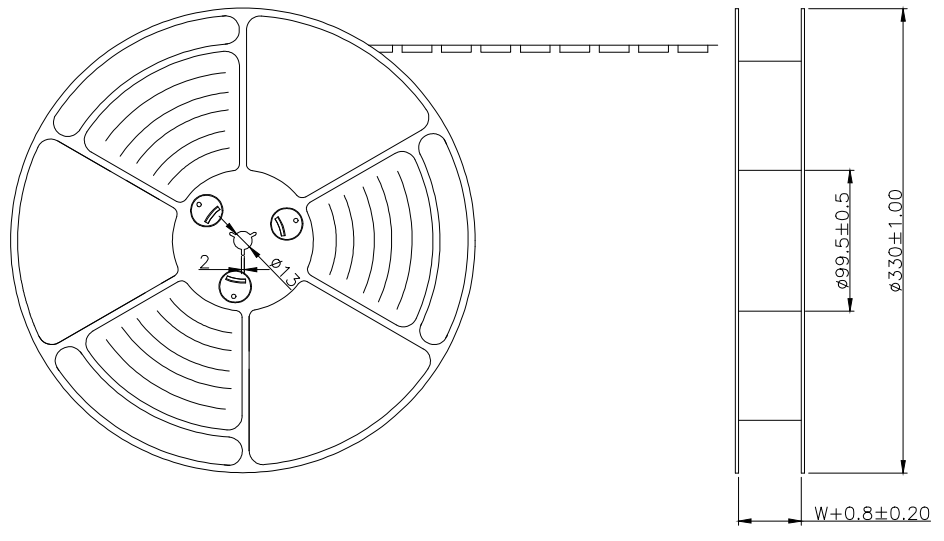
RECOMMEND P.C.B LAYOUT (COMPONENT SIDE)

TOLERANCE FOR PCB LAYOUT IS ± 0.05
KEEP OUT AREA

GENERAL TOLERANCE	DWG NO.	APPD:	WIND	Scale	1:1
X. ± 0.45	x. $\pm 5^\circ$	Title	CHKD:	UNIT	mm
.X ± 0.35	.x $\pm 2^\circ$	Part NO.	DR:		
.XX ± 0.25	.xx $\pm 1^\circ$	JYS-UTC125-133	Date		
.XXX ± 0.15	.xxx $\pm 0.5^\circ$			JYSCONN Electronics Co., LTD.	
SHEET	2/4				

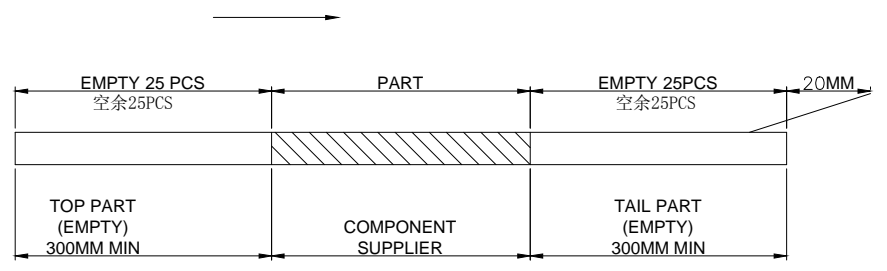
REV.	ECN.NO.	MODIFY.CONTENT	DATE
A		NEW	2019/05/29

出料方向
PULL OUT DIRECTION

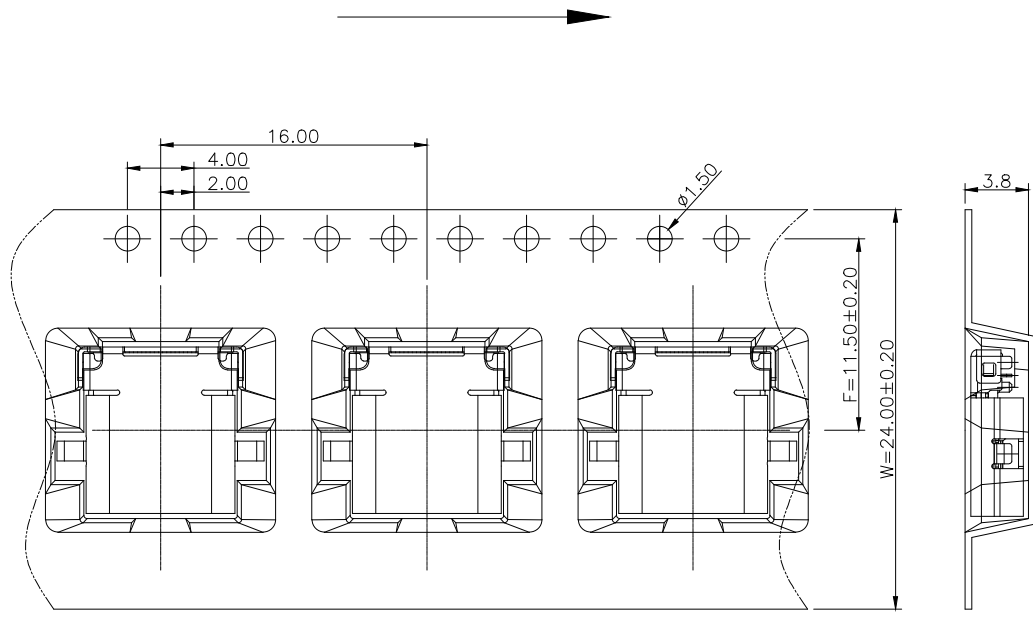


NOTES

1.帶子引導長度
LEAD TAPE LENGTH
出料方向
PULL OUT DIRECTION



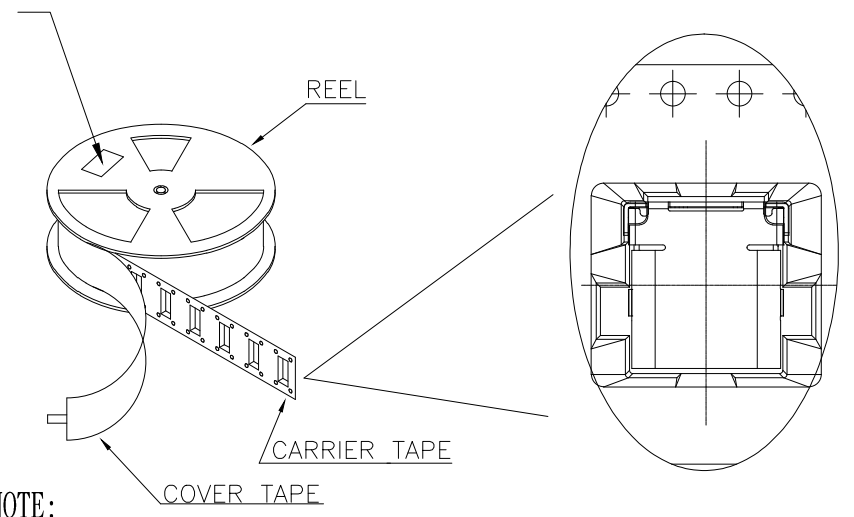
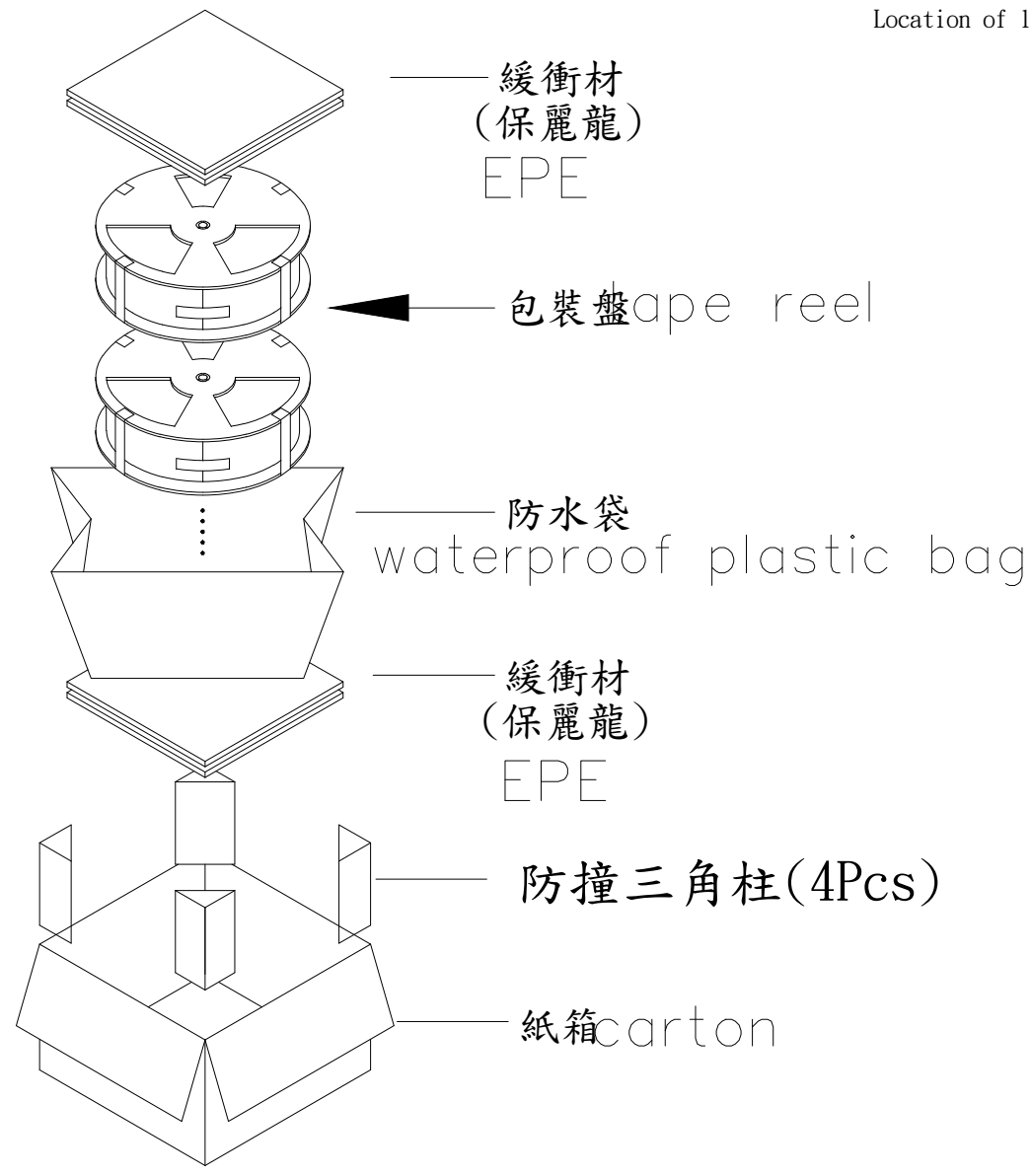
2.出貨運輸過程中一定注意：
THIS REQUIREMENT SHOULD BE APPLIED AT SHIPMENT：
卷帶在運輸過程中不能散開
PEELING OFF SHOULD NOT BE ALLOWED DURING TRANSPORTATION



GENERAL TOLERANCE		DWG NO.		APPD:	WIND	Scale	1:1
X.±0.45	x.'±5°	Title	USB TYPE-C/F 24PIN 沉板1.25mm 前插后贴 L=10.00mm	CHKD:		UNIT	mm
.X±0.35	.x'±2°			DR:			
.XX±0.25	.xx'±1°	Part NO.	JYS-UTC125-133	Date	2019/05/29		
.XXX±0.15	.xxx'±0.5°						
SHEET	3/4			JYSCONN Shenzhen JYSCONN Electronics Co., LTD.			

REV.	ECN.NO.	MODIFY.CONTENT	DATE
A		NEW	2019/05/29

at small positioning hole of the carrier tape side).
 標籤黏貼處 (朝捲裝包材的小定位孔一側)
 Location of label sticking (label)



- NOTE:
1. 每捲包裝數量及每箱裝箱數量如左下表格。
Packing q'ty of each reel & carton as below table shown.
 2. 以上膠帶覆蓋下包裝帶經包裝機自粘包裝
Use cover tape to cover and hot melt machine to seal up.
 3. 每個紙箱放2個珍珠棉
Every carton use 2pcs EPE.
 4. 將裝滿產品的卷盤放入紙箱并以膠帶封口
Put reels in the carton and use adhesive tape to seal up.

產品料號 (PRODUCT No.)	包裝容量 (PACKING CAPACITY)			重量 WEIGHT (Kg)		
	PCS/REEL	REELS/CARTON	PCS/CARTON	N.W./PCS	N.W./BOX	G.W./BOX
JYS-UTC125-133	1000	8	8000			

GENERAL TOLERANCE	DWG NO.	APPD:	WIND	Scale	1:1
X.±0.45	x.°±5°	Title	CHKD:	UNIT	mm
.X±0.35	.x'±2°	Part NO.	DR:	Date	2019/05/29
.XX±0.25	.xx'±1°	JYS-UTC125-133			
.XXX±0.15	.xxx'±0.5°				
SHEET 4/4		JYSCONN Shenzhen JYSCONN Electronics Co., LTD.			