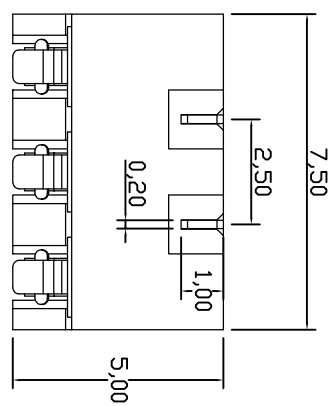
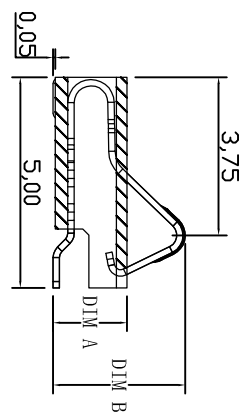
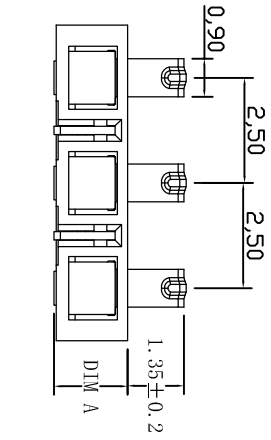
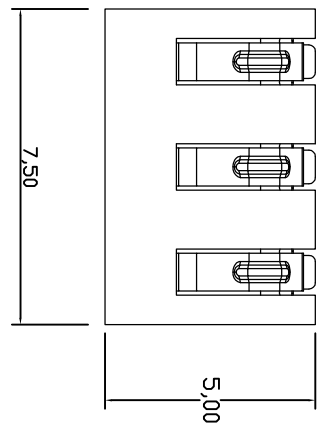
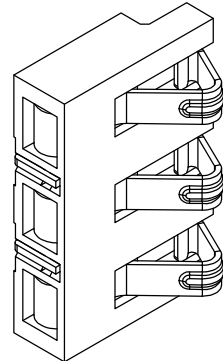


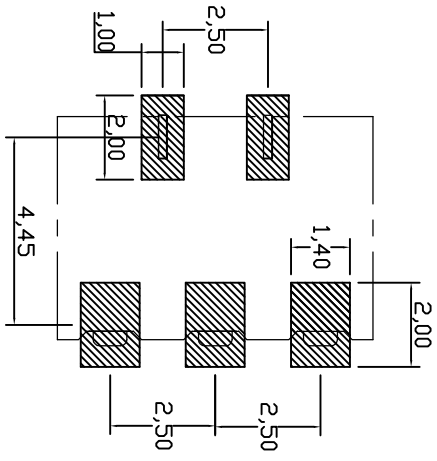
REV.	ECN NO.	MODIFY CONTENT	DATE
A		NEW	2011/10/31



PART NO.	DIM A	DIM B
JYS-BY170-106	1.7	3.05 ± 0.2
JYS-BY200-107	2.0	3.35 ± 0.2

性能:

- 额定电流: 2.0A
- 额定电压: 12V
- 耐电压: 500V
- 接触电阻: 30mΩ
- 绝缘电阻: 500MΩ
- 工作温度: -40°C~+85°C
- 塑件(材质): LCP
- 接触点(材质): 磷铜, 镀金



RECOMMENDED PCB LAYOUT
TOP VIEW (.XX ± 0.05)

GENERAL TOLERANCE		DWG NO.	JYSA1105-04	APPR:	WMD	Scale	1:1
X.±0.45	X.±5'	Title	BATTERY 3PIN 2.50PITCH WITHOUT POST	CHKD:		UNIT	mm
.X±0.35	.X'±2"	Part NO.	SEE TABLE	DR:			
.XX±0.25	.XX'±1"			Date	2012/02/29		
.XXX±0.15	.xxx'±0.5"						
SHEET	1/1						

JYS 杰宇森电子有限公司
JIE YU SEN ELECTRONIC CO., LTD.