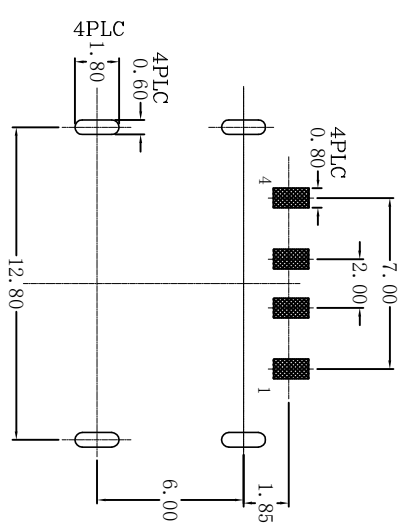
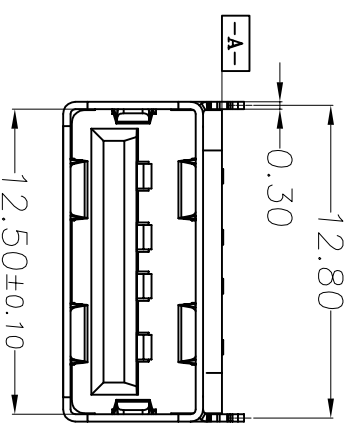
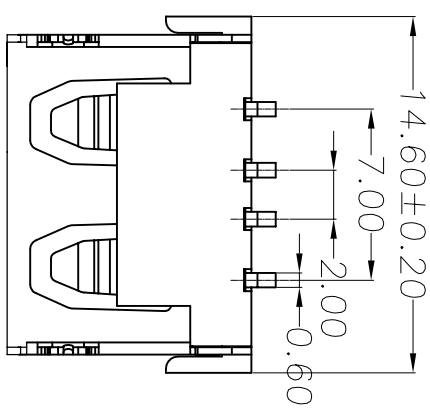
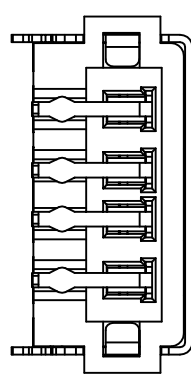
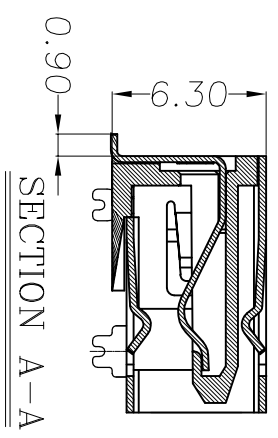
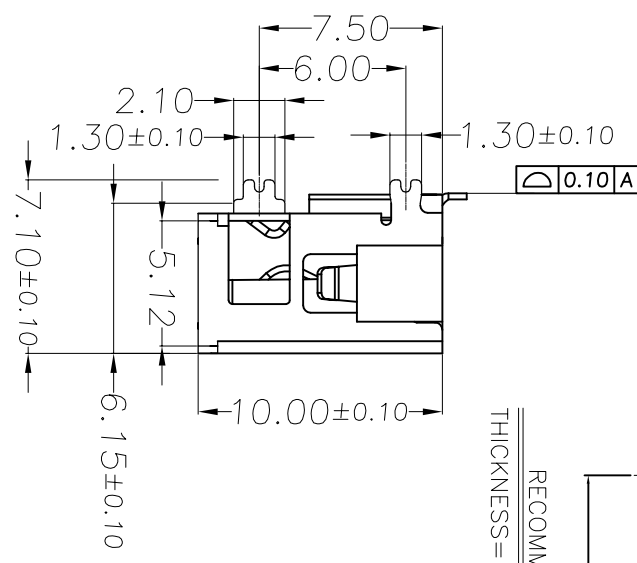


REV.	ECONO.	MODIFY CONTENT	DATE
A		NEW	2015/10/31



RECOMMENDED PCB LAYOUT  
THICKNESS=1.0mm (TOLERANCES ±0.05)



规格说明: Specifications:  
电气特性: Electrical:

1. 额定电流: Current Rating  
1.5A/contact terminal
2. 额定电压: Voltage Rating  
30V DC
3. 接触阻抗: Contact Resistance  
30 milliohms MAX
4. 耐电压: Dielectric Withstanding Voltage:  
500 V AC AT Sea Level
5. 绝缘阻抗: Insulation Resistance:  
1000MEGA ohms MIN

物理性能: Mechanical:

1. 插拔力: Connector Mate and Unmate Force  
Mate force: 3.57kgf (MAX)  
Unmate force: 1.02kgf (MIN)
2. 端子保持力: Terminal Retention  
1.2kgf (MIN)

原材料: Material:

1. 塑胶: Housing:  
Hing Temperature Thermoplastics,  
Ul 94V-0 LCP Black
2. 端子: Contact: Copper Alloy C2680
3. 外壳: Shell: SPCC

电镀: Finish:

1. 端子: Contact: Plated Gold in Mating Area;  
Tin On Solder Tails
2. 外壳: Shell:  
Nickel Plating

GENERAL TOLERANCE		DWG NO.	Title		Part NO.
X.±0.45	X.±1°	JYSA0909-001	USB AF 短体10.0 6.30H 四脚插板 无边		
X.±0.35	X.±2°				
.XX±0.25	.xx±1°				
XXX±0.15	.xxx±0.5°				
SHEET 1/1					

**JYSCONN** Shenzhen  
 JYSCONN Electronics Co., LTD.  
 APPD: WIND Scale 1:1  
 CHKD: UNIT mm  
 DR: Date 2015/10/31