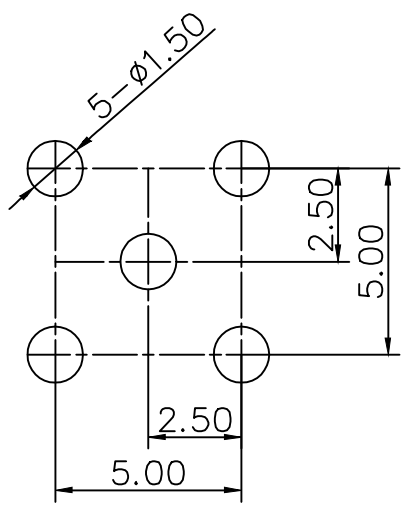
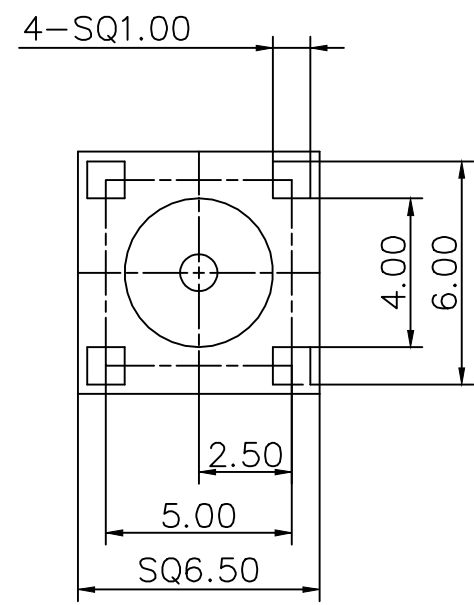
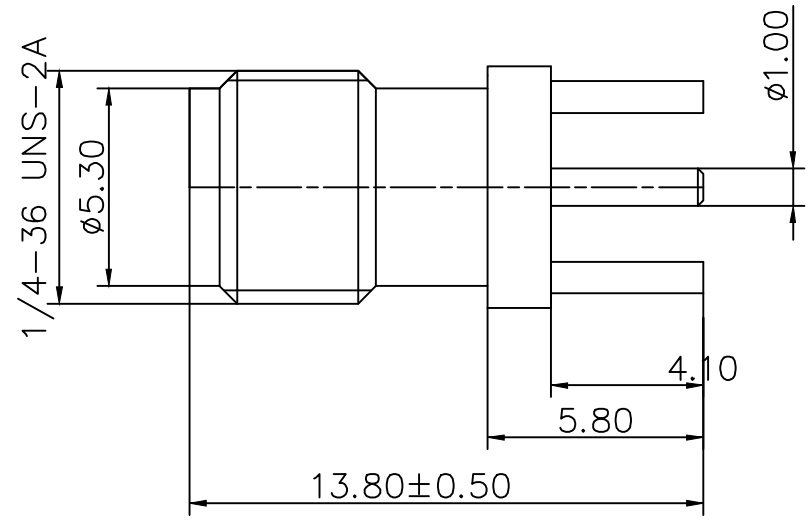


ITEM	DESCRIPTION	MATERIAL	Q'TY	FINISHED
1	BODY	BRASS	1	GOLD PLATED
2	INSULATOR	TEFLON	1	NATURAL
3	CENTER CONTACT	Be.copper	1	GOLD PLATED

REV.	ECN.NO.	MODIFY.CONTENT	DATE
AO		NEW	2019.08.28



RECOMMENDED PCB HOLE

GENERAL TOLERANCE		DWG NO.	APPD:		Scale	1:1
X.±0.45	x.'±5°	Title	SMA VERTICAL PCB RECEPTACLE-JACK		CHKD:	UNIT mm
.X±0.35	.x'±2°		DR:		Date	2019.08.28
.XX±0.20	.xx'±1°	Part NO.	JYS-SMA138-002			
.XXX±0.10	.xxx'±0.5°			Shenzhen JYSCONN Electronics Co., LTD.		
SHEET	1/1					