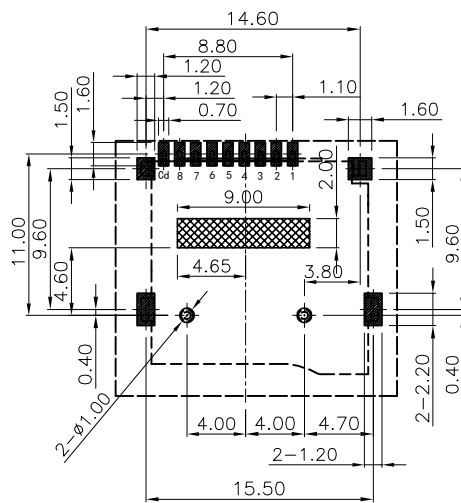
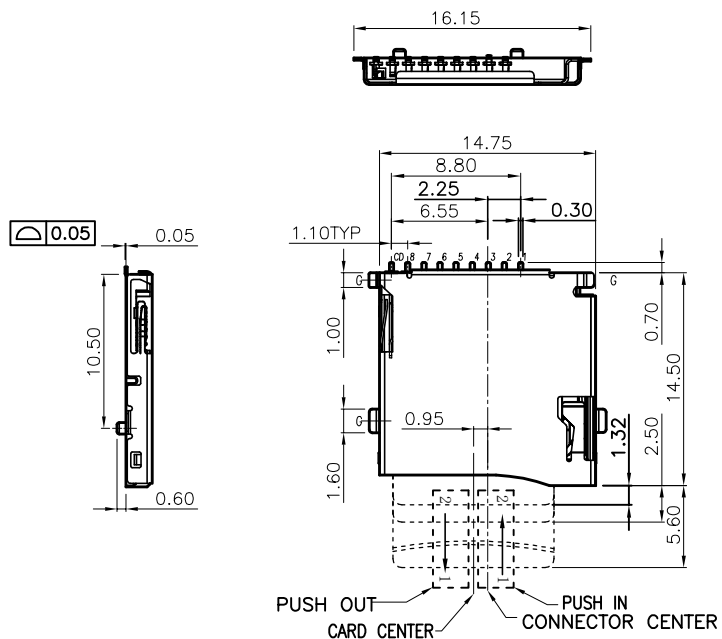


REV.	ECN.NO.	MODIFY.CONTENT	DATE
A		NEW	2012/08/03

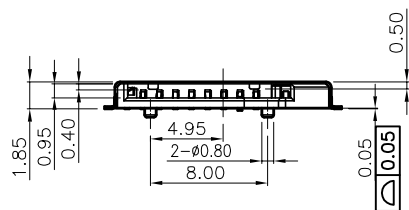


RECOMMEND PCB LAYOUT

TOLERANCE: ± 0.05

TOP VIEW

- PCB AREA
- CONNECT AREA
- KEEP OUT AREA

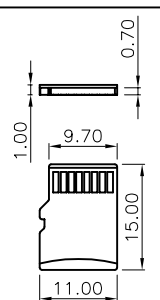
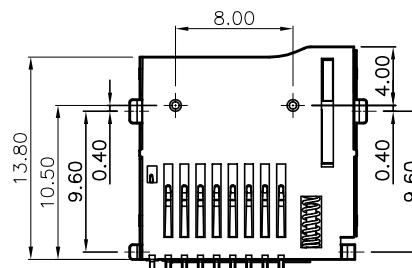


MATERIALS

- HOUSING :THERMOPLASTIC (UL 94V-0).
- TERMINAL : COPPER ALLOY.
PLATING : PLATING SEE TABLE.
- SHELL : COPPER ALLOYS OR STEEL.
PLATING :TIN OVER NICKEL.

SPECIFICATION

- CURRENT RATING : 0.5 A. MAX.
- DIELECTRIC WITHSTANDING VOLTAGE :
500V AC R.M.S. FOR 1 MINUTE.
- INSULATION RESISTANCE : 1000MΩ MIN.AT 500V DC.
- CONTACT RESISTANCE : 400mΩ MAX.
- OPERATING TEMPERATURE : -25°C~+70°C.



PIN NO.	NAME	YYPE	DESCRIPTION
1	DAT2	I/O/PP	DATE LINE(BIT2)
2	CD/DAT3	I/O/PP	CARD DETECT DATE LIN(BIT3)
3	CMD	PP	COMMAND RESPONSE
4	VDD	S	SUPPLY VOLTAGE
5	CLX	I	CLOCK
6	VSS	S	SUPPLY VOLTAGE GROUND
7	DATO	I/O/PP	DATE LINE(BITO)
8	DAT1		

GENERAL TOLERANCE	
X. ± 0.45	x. $\pm 5^{\circ}$
.X ± 0.35	.x $\pm 2^{\circ}$
.XX ± 0.25	.xx $\pm 1^{\circ}$
.XXX ± 0.15	.xxx $\pm 0.5^{\circ}$
SHEET	1/1

DESCRIPTION OF PLATING ON TERMINALS			
NO.	EXPLAIN	NO.	EXPLAIN
0	GOLD FLASH	3	GOLD 15u"
1	GOLD 5u"	4	GOLD 20u"
2	GOLD 10u"	6	GOLD 30u"

DWG NO.	JYSA0915-001	APPD:	WIND	Scale	1:1
Title	T-FLASH 外焊 PUSH	CHKD:		UNIT	mm
Part NO.	JYS-TF185-011	DR:	Date	2012/08/03	

JYSCONN Shenzhen
JYSCONN Electronics Co., LTD.