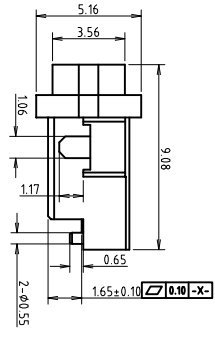
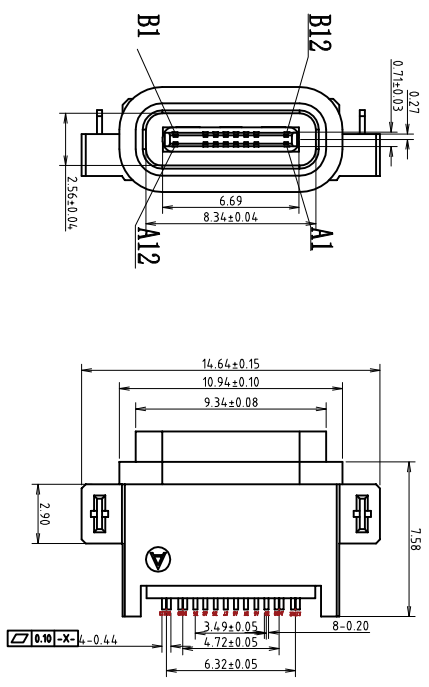
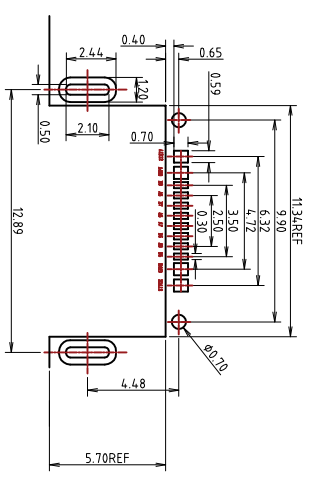
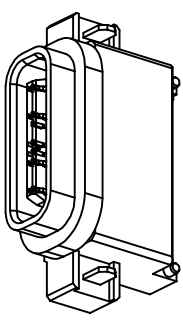
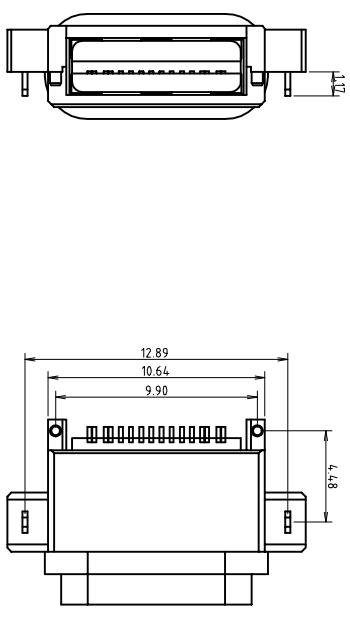


REV.	EGN.NO.	MODIFY/CONTENT	DATE
A0		NEW	2019/12/23



- Notes:
1. Dimension shall be interpreted per ASME Y14.5M1994.
  2. Dimension marked  $\nabla$  & should be checked by Q.C. and process, engineers and  $\nabla$  should also check the CPK data
- Specification:
1. Current Rating: 3.5 AMP
  2. Voltage Rating: 100V AC/DC
  3. Dielectric Strength: 500V AC RMS for 1 minute.
  4. Contact Resistance: 30 m $\Omega$  Max.
  5. Insulator Resistance: 500M  $\Omega$  Min. AT 250V DC.
  6. Temperature: -20°C to +60°C
  7. INSERTION FORCE : 5N~20N
  8. UNMATING FORCE: 8N~20N
  9. DURABILITY : 10,000 CYCLES



6	SHELL	STAINLESS STEEL	NI Plated	1PCS	
5	SHIELDING PLATE	STAINLESS STEEL	---	1PCS	
4	MD	HIGH TEMPERATURE PLASTIC	BLACK	1PCS	
3	CONTACT	COPPER ALLOY	Au/NI Plated	1SET	
2	CONTACT	COPPER ALLOY	Au/NI Plated	1SET	
1	HOUSING	HIGH TEMPERATURE PLASTIC	BLACK	1PCS	
1	HOUSING	PA9T&LCP (G.F.30%)	BLACK	1PCS	
NO.	DESCRIPTION	MATERIAL	REMARKS	QTY	

GENERAL TOLERANCE		DWG NO.	JYSA1809-002	APPD:	Scale	1:1
X±0.45	X:±5°	Title	USB TYPE C 16PIN 沉板防水母座	CHKD:	UNIT	mm
X±0.35	X:±2°	Part NO.	JYS-USB165-047	DR:		
.XX±0.25	.XX±1°			Date		2019/12/23
.XXX±0.15	.xxx±0.5°					
SHEET	1/1					

**JYSCONN** Shenzhen  
JYSCONN Electronics Co., LTD.