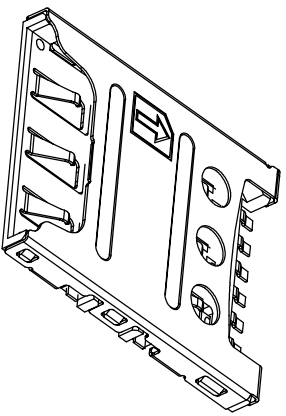
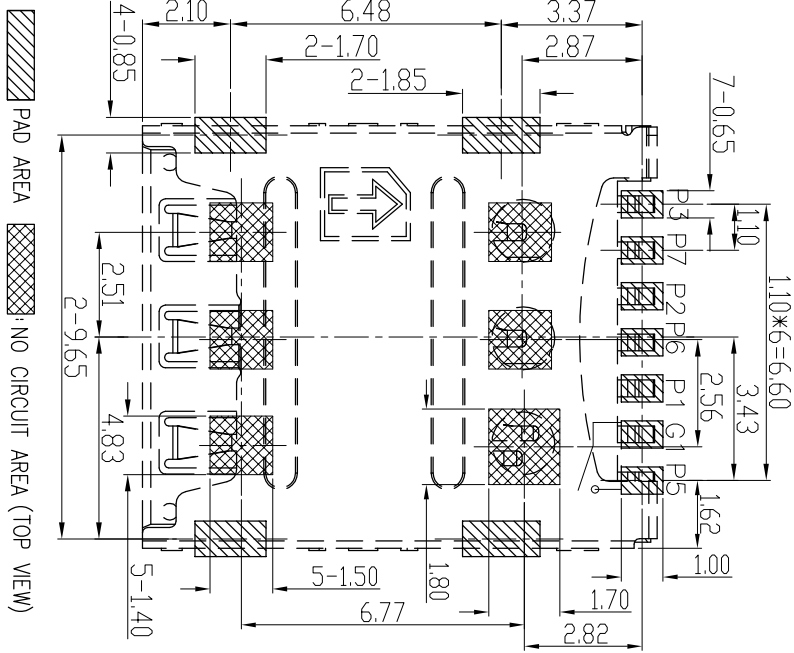
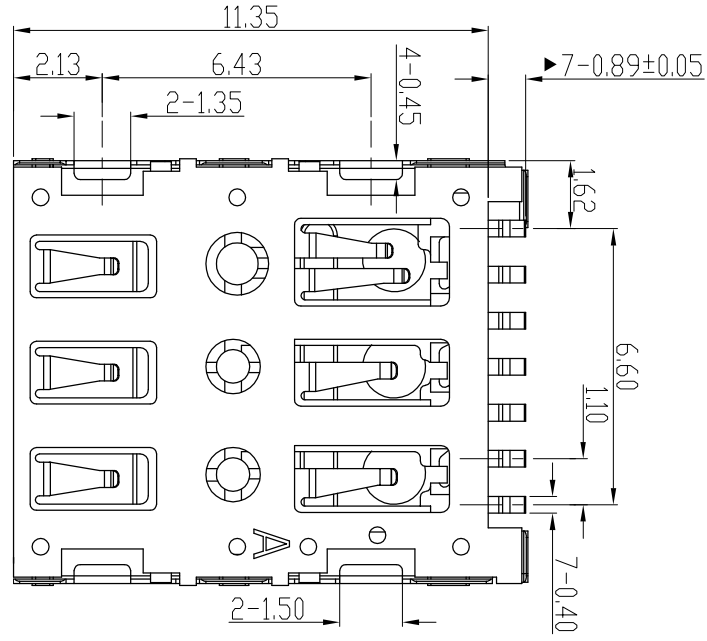
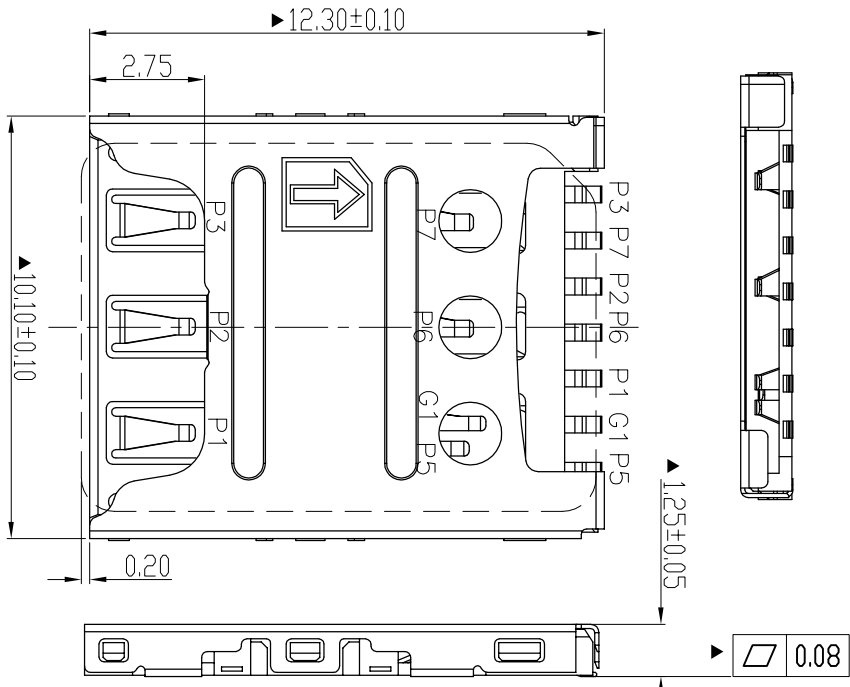


REV.	ECONO.	MODIFY CONTENT	DATE
A		版面首次发行	2016/07/25



REMARK

NANO SIM P/N	PIN NAME
P1	VCC
P2	RST
P3	CLK
P5	GND
P6	VPP
P7	I/O
G1	SWITCH

ITEM	NAME	P/N	FINISH	QUANTITY/EACH	GENERAL TOLERANCE	图号	设计	WIND	比例
③	SHELL	S-0000-229B(有LOGO)	半金镍, 1U"Au Min.	1	X.±0.35	X.±1.5'	JYSAO726-002		1:1
②	CONTACT	T-0000-360B	半金镍, 1U"Au Min.	1	X.±0.30	X.±2'	1.25H 7PIN NANO SIM CARD CONN.		
①	HOUSING	I-0000-357	LCP S475	1	.XX±0.20	.XX±1'	JYS-SIM125-133		

- NOTES:
- Material :
    - LATCH : SUS304R-H,T=0.10mm
    - Contact: C5210R-SH,T=0.10mm
    - Housing : LCP UL 94V-0, Color Black.
  - Finish: See Remark
  - Marked ▲ : Critical Dimensions.
  - All Contact Coplanarity Must Be Checked One By One.

PAD AREA   
 NO CIRCUIT AREA (TOP VIEW)