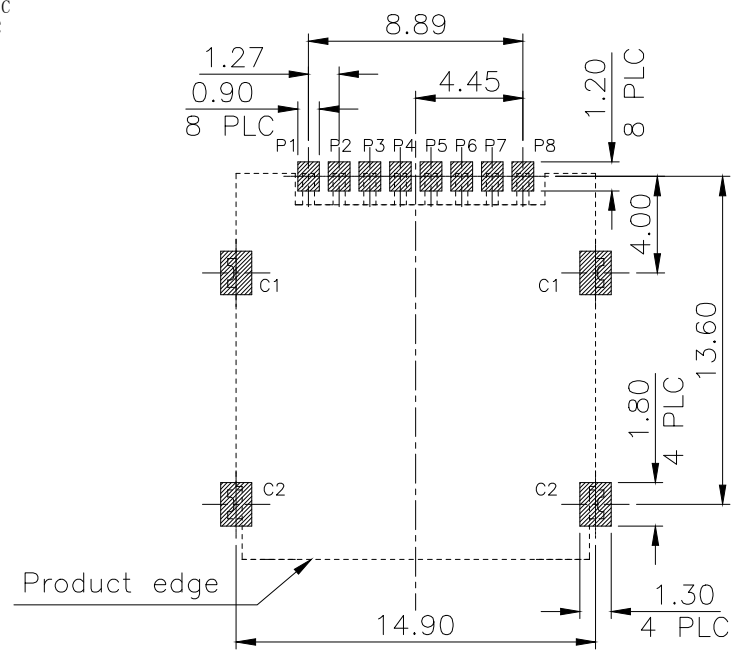
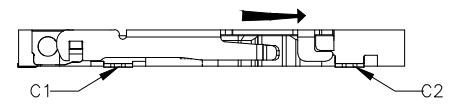
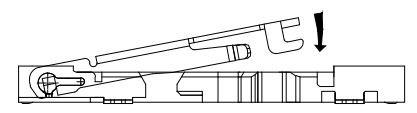
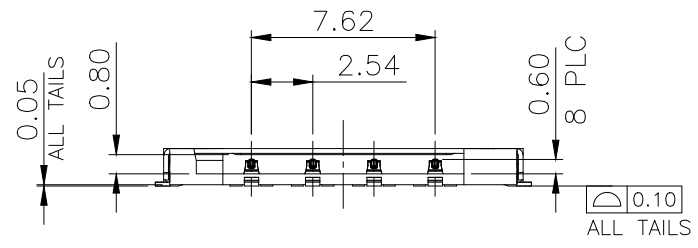
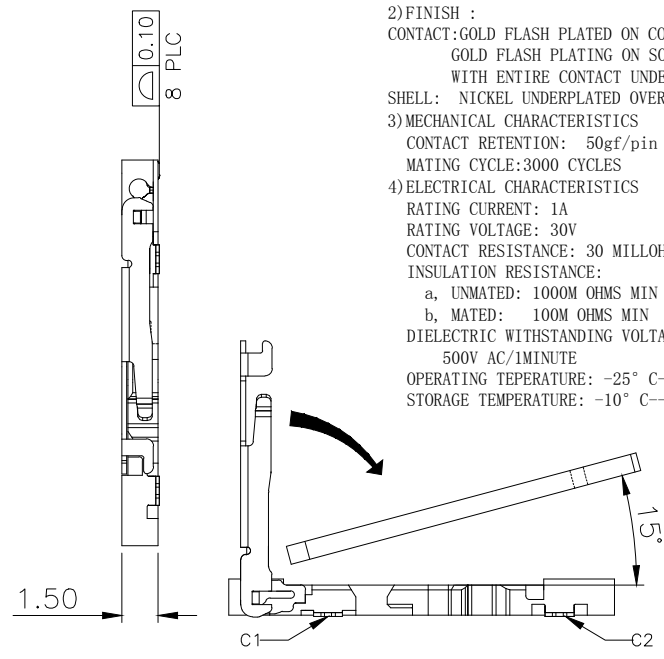
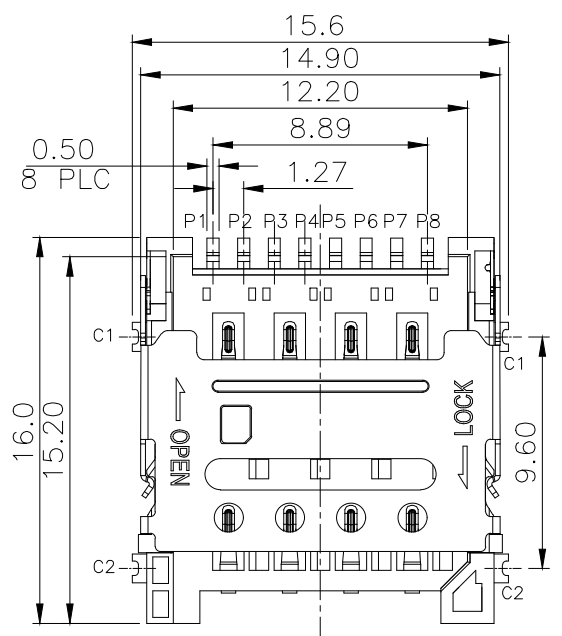


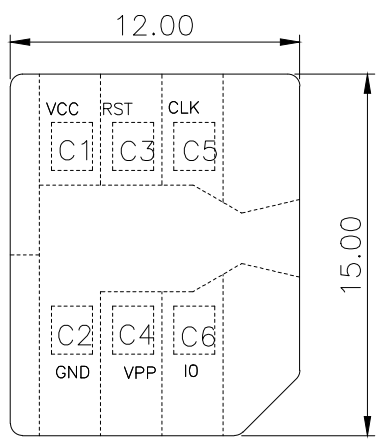
REV.	ECN.NO.	MODIFY.CONTENT	DATE
A0		NEW	2017/10/18

NOTES:
 1) MATERIAL:
 HOUSING: LCP S475 UL 94V-0
 CONTACT: C5210R-EH T=0.15mm
 SHELL: SUS201-H T=0.20mm
 2) FINISH:
 CONTACT: GOLD FLASH PLATED ON CONTACT AREA 1u"Min ;
 GOLD FLASH PLATING ON SOLDER TAILS 1u"Min,
 WITH ENTIRE CONTACT UNDERPLATED NICKEL 50u"Min
 SHELL: NICKEL UNDERPLATED OVERALL 50u"Min,
 3) MECHANICAL CHARACTERISTICS
 CONTACT RETENTION: 50gf/pin Min
 MATING CYCLE: 3000 CYCLES
 4) ELECTRICAL CHARACTERISTICS
 RATING CURRENT: 1A
 RATING VOLTAGE: 30V
 CONTACT RESISTANCE: 30 MILLOHMS OHMS MAX
 INSULATION RESISTANCE:
 a, UNMATED: 1000M OHMS MIN
 b, MATED: 100M OHMS MIN
 DIELECTRIC WITHSTANDING VOLTAGE:
 500V AC/1MINUTE
 OPERATING TEMPERATURE: -25° C--+70° C
 STORAGE TEMPERATURE: -10° C--+40° C



RECOMMENDED PCB LAYOUT(TOP VIEW)
 GENERAL TOLERANCES: ±0.05

MICRO SIM CARD	
PIN NO.	DESCRIPTION
P1	VCC
P2	GND
P3	RST
P4	VPP
P5	CLK
P6	I/O
P7	RESERVED
P8	RESERVED

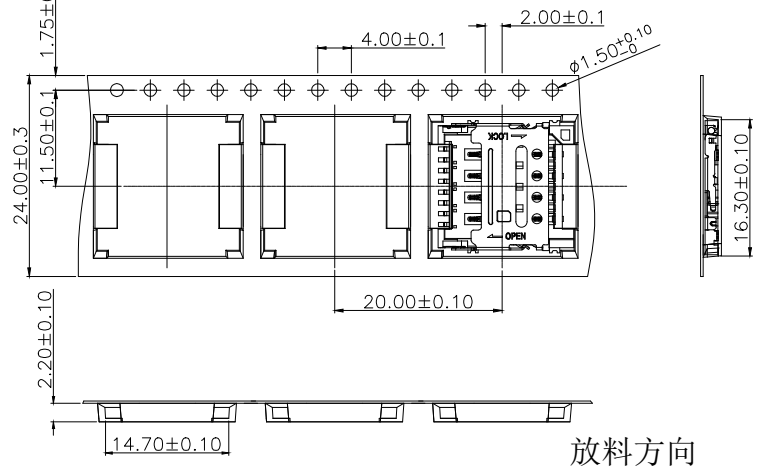


芯片面朝下视图

GENERAL TOLERANCE		DWG NO.	JYSA20171018	APPD:	WIND	Scale	1:1
X.±0.45	x.'±5°	Title	MICRO SIM CARD 8PIN 1.5H (掀盖式8X1PIN)	CHKD:		UNIT	mm
.X±0.35	.x'±2°			DR:			
.XX±0.25	.xx'±1°	Part NO.	JYS-SIM150-071	Date	2017/10/18		
.XXX±0.15	.xxx'±0.5°			Shenzhen JYCONN Electronics Co., LTD.			
SHEET 1/1							

REV.	ECN.NO.	MODIFY.CONTENT	DATE
AO		图面首次发行	2017/10/18

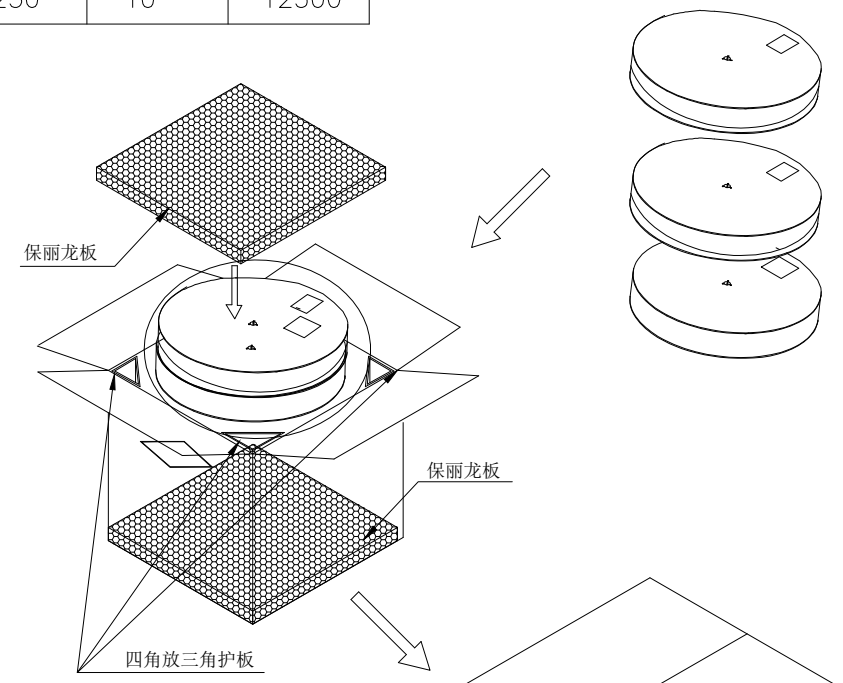
<图一>



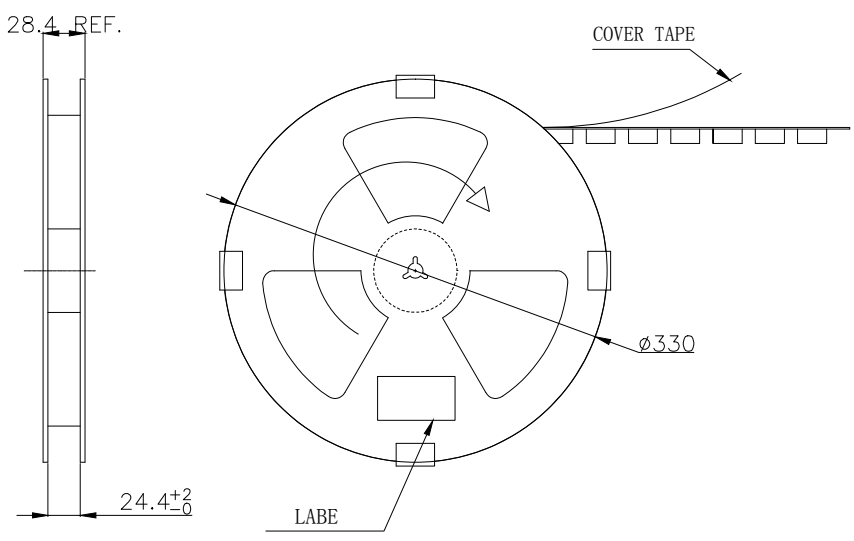
<TABLE 1> PACKAGING QUANTITY

QTY/REEL	REEL/CARTON	QTY/CARTON
1250	10	12500

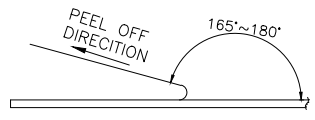
<图三>



<图二>

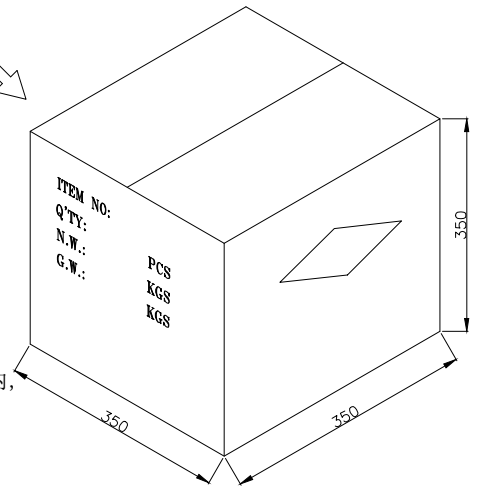


COVER TAPE PEELING FORCE: 50gf~150gf



NOTE:

1. 依<图一>示放置产品于下载中, 每穴放置1PCS产品.
2. 包装机包好后, 在REEL的个等分点贴上胶带, 以防止REEL张开, 每REEL贴1PCS标签, 如<图二>示
3. 包装数量见如<TABLE 1>示
4. 包装成箱见如<图三>示
箱底放保利龙板, 再依次将指定数量的卷装产品用防水袋装好放入箱内, 四角分别放入四个三角护板, 最上层再放上保利龙板.
5. 封箱, 在封好的纸箱上按客户要求写上料号, 数量等



GENERAL TOLERANCE		图号	JYSA20171018	设计		比例	1:1
X.±0.45	x.±5'	品名	MICRO SIM CARD 8PIN 1.5H(8X1 TYPE)包装图	审核		单位	mm
.X±0.35	.x±2'			核准			
.XX±0.25	.xx±1'	料号	JYS-SIM150-071	日期	2017/10/18		
.XXX±0.15	.xxx±0.5'			Shenzhen JYSCONN Electronics Co., LTD.			
页号	1/1						