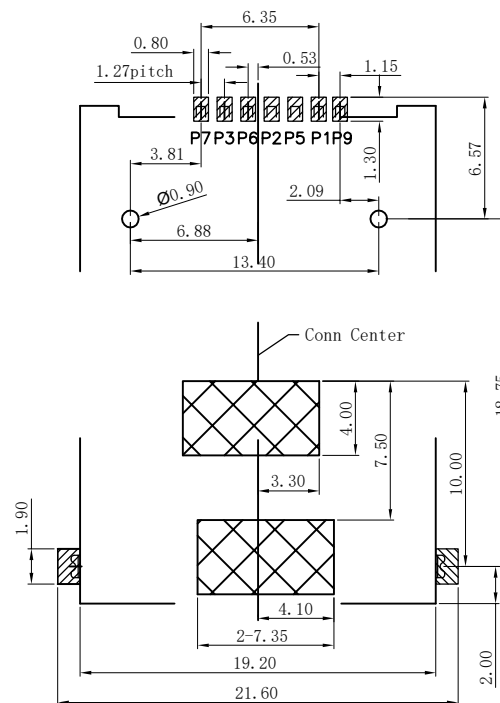
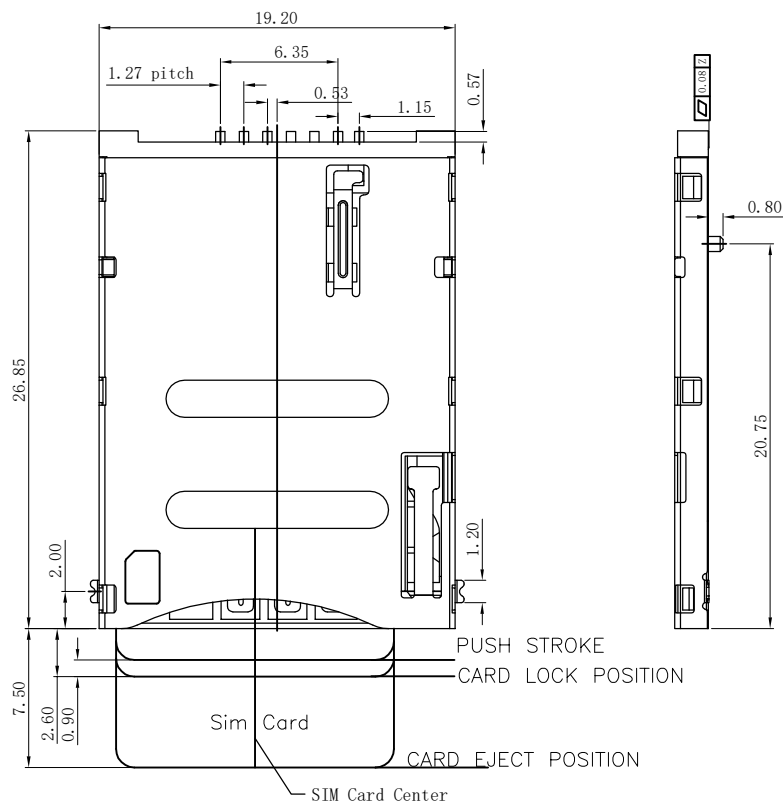
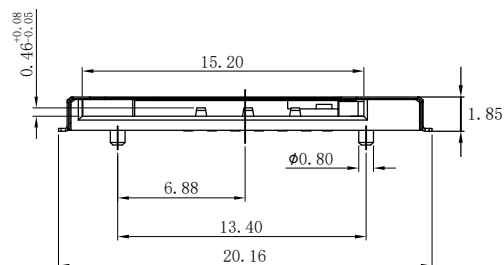
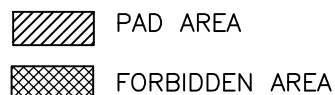


REV.	ECN.NO.	MODIFY.CONTENT	DATE
A		NEW	2012/12/31
A1		外壳弹片新增加强筋	2017/10/23

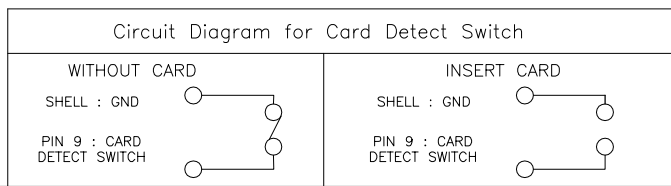


*Electrical Characteristics:
 Current Rating:0.5A.
 Withstanding Voltage:AC500V r.m.s.
 Insulation Resistance:1000Megohms Minimum at DC 500V
 Contact Resistance:100Miliohms Maximum.
 *Mechanical Characteristics:
 Mating Cyeles:5000 Insertions.
 *Environmwntal:
 Operating Temperature: -40°To+60°
 *Material:
 1.Housing:LCP S475 UL 94V-0 Rated.
 2.Contact:C5120R-EH.
 3.Shell:SUS304-H.
 *Finish :
 1u" Gold plated on conatct area,1u"Min Au plated on solder tails, Base Nickel :50u"Min
 *Packing:
 Number of connectors:750Pcs/REEL

RECOMMENDED PCB LAYOUT
 GENERAL TOLERANCE ± 0.05

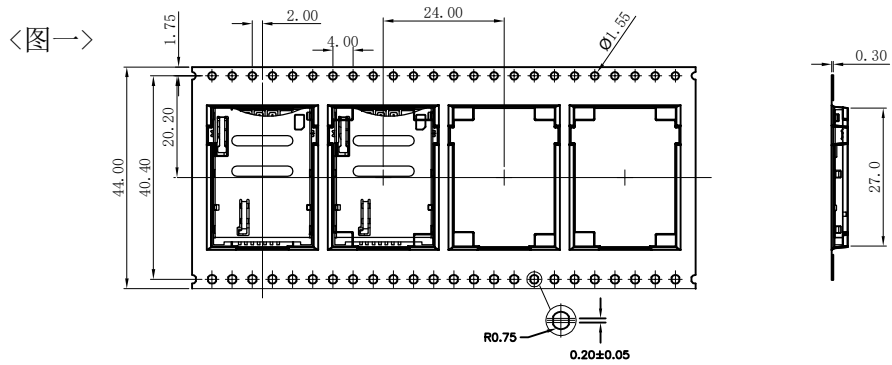


Connector terminal NO.	Pin NO.
Pin 1	VCC:PWR signal and GND
Pin 2	RST:Reset signal
Pin 3	CLK:Clocking signal
Pin 5	GND:PWR signal and GND
Pin 6	VPP:Porgramming Voltage
Pin 7	I/O:Serial date input/output



GENERAL TOLERANCE		DWG NO.	APPD:	WIND	Scale	1:1
X. ± 0.45	x. $\pm 5^{\circ}$	Title	CHKD:		UNIT	mm
.X ± 0.35	.x $\pm 2^{\circ}$		DR:			
.XX ± 0.25	.xx $\pm 1^{\circ}$	Part NO.	Date	2017/10/23		
.XXX ± 0.15	.xxx $\pm 0.5^{\circ}$					
SHEET	1/2					
				JYSCONN Electronics Co., LTD.		

REV.	ECN.NO.	MODIFY.CONTENT	DATE
AO		初版发行	2014.05.08

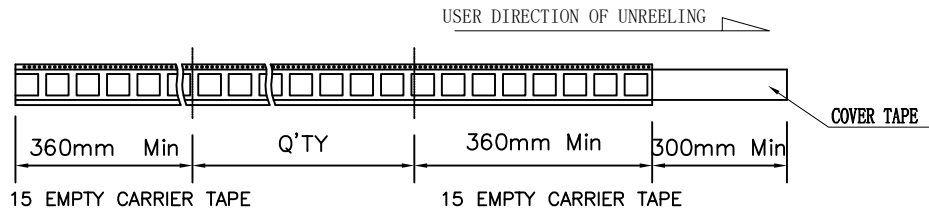


<图一>

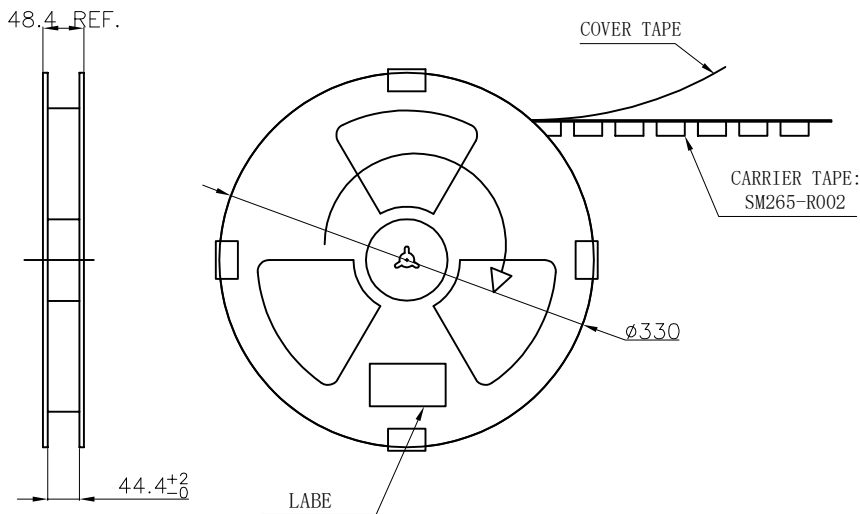
<图三>

<TABLE 1> PACKAGING QUANTITY

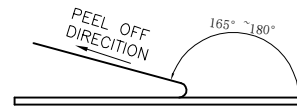
QTY/REEL	REEL/CARTON	QTY/CARTON
750	6	4500



<图二>

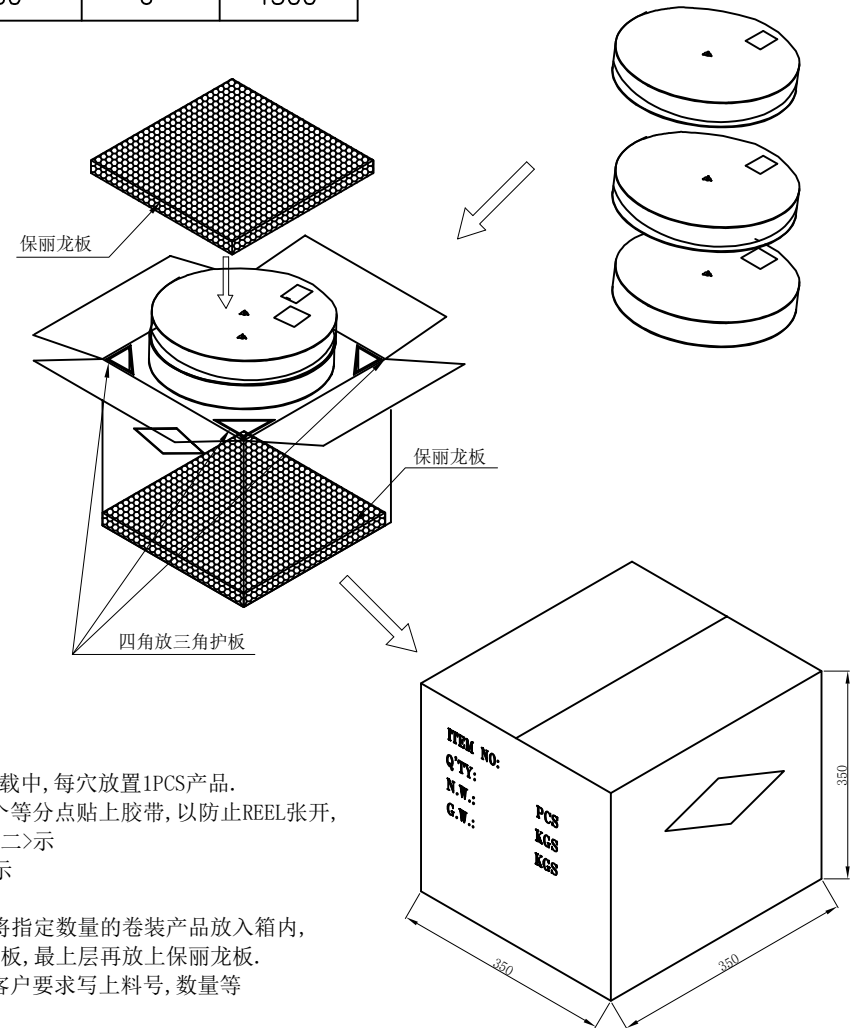


COVER TAPE PEELING FORCE: 20gf~120gf



NOTE:

- 依<图一>示放置产品于下载中, 每穴放置1PCS产品.
- 包装机包好后, 在REEL的个等分点贴上胶带, 以防止REEL张开, 每REEL贴1PCS标签, 如<图二>示
- 包装数量见如<TABLE 1>示
- 包装成箱见如<图三>示
箱底放保丽龙板, 再依次将指定数量的卷装产品放入箱内, 四角分别放入四个三角护板, 最上层再放上保丽龙板.
- 封箱, 在封好的纸箱上按客户要求写上料号, 数量等



GENERAL TOLERANCE		图号	设计	Raliny.xu	比例	1:1	
X.±0.45	x.±5'	品名	PUSH SIM CARD 6+1PIN 1.85H -- 包装图	审核	Raliny.xu	单位	mm
.X±0.35	.x±2'						
.XX±0.25	.xx±1'	料号	日期	2014/05/08			
.XXX±0.15	.xxx±0.5'	页号	2/2				

JYSCONN Shenzhen
JYSCONN Electronics Co., LTD.