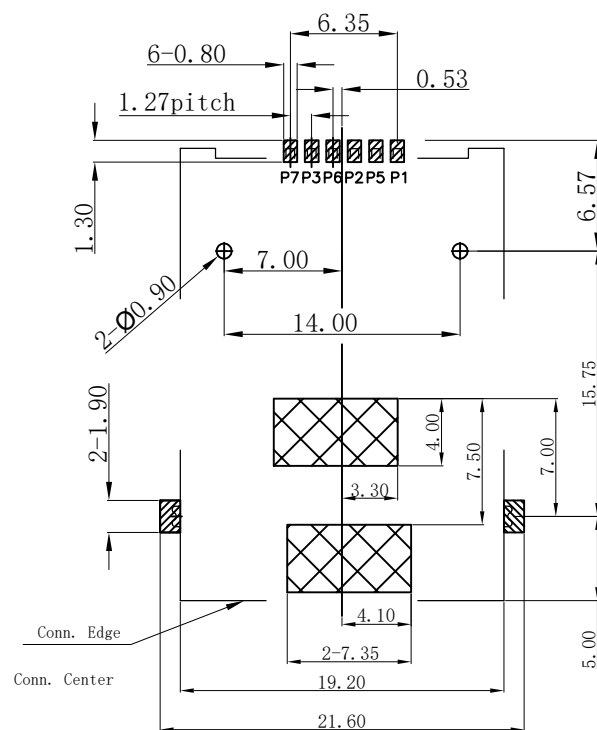
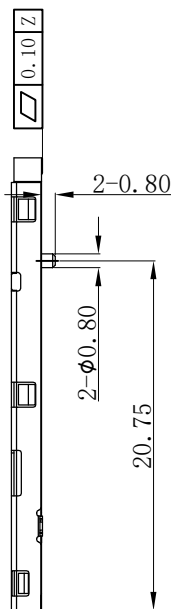
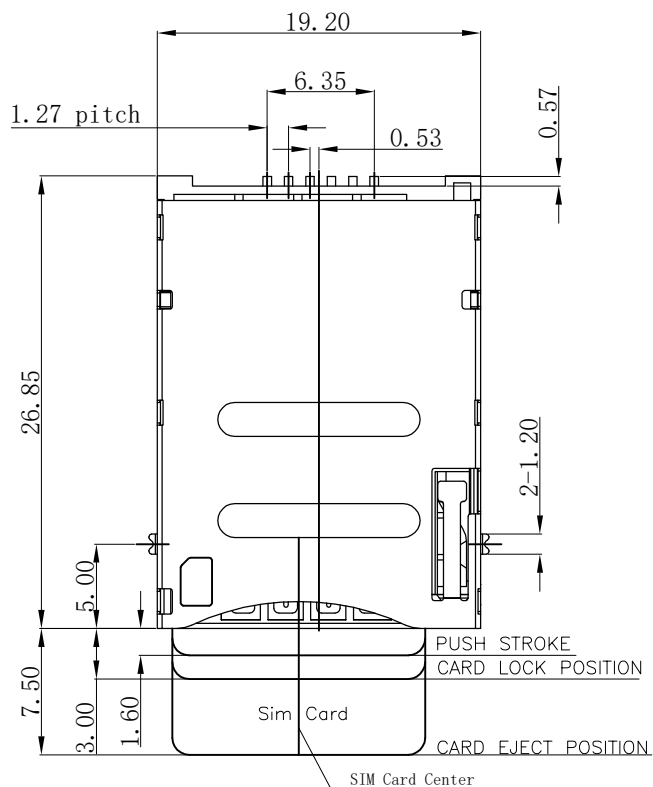
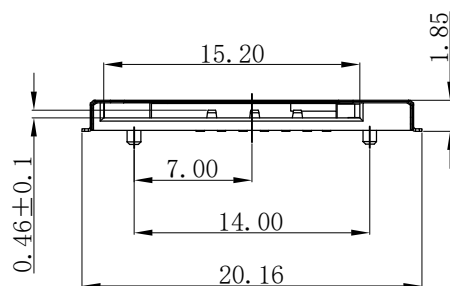


REV.	ECN.NO.	MODIFY.CONTENT	DATE
A0		NEW	2011/12/31



- Electrical Characteristics:  
Current Rating:1.5A.  
Withstanding Voltage:AC500V r.m.s.  
Insulation Resistance:1000Megohms Minimum at DC 500V  
Contact Resistance:100Miliohms Maximum.
- Mechanical Characteristics:  
Mating Cycles:3000 Insertions.
- Environmentl:  
Operating Temperature:-25°To+70°
- Material:  
1.Housing:HI-Temp plastic UL 94V-0 Rated.  
2.Contact:Copper Alloy.  
3.Shell:SUS.
- Finish :  
1u" Gold plated on conatct area,1u"Min Au plated on solder tails, Base Nickel :50u"Min
- Packing:  
Number of connectors:750Pcs/REEL



RECOMMENDED PCB LAYOUT

GENERAL TOLERANCE ±0.05

- PAD AREA
- FORBIDDEN AREA

Connector terminal NO.	Pin NO.	GENERAL TOLERANCE		DWG NO.	JYS20111231	APPD:	Scale	1:1	
Pin 1	VCC:PWR signal and GND	X.±0.45	.x'±5°	Title	SIM CARD PUSH PUSH 6P (顺向) TYPE2	CHKD:	UNIT	mm	
Pin 2	RST:Reset signal	.X±0.35	.x'±2°				DR:	Visual	
Pin 3	CLK:Clocking signal	.XX±0.25	.xx'±1°	Part NO.	JYS-SIM185-041	Date	2011/12/31	Edition	A1
Pin 5	GND:PWR signal and GND	.XXX±0.15	.xxx'±0.5°						
Pin 6	VPP:Porgramming Voltage								
Pin 7	I/O:Serial date input/output								

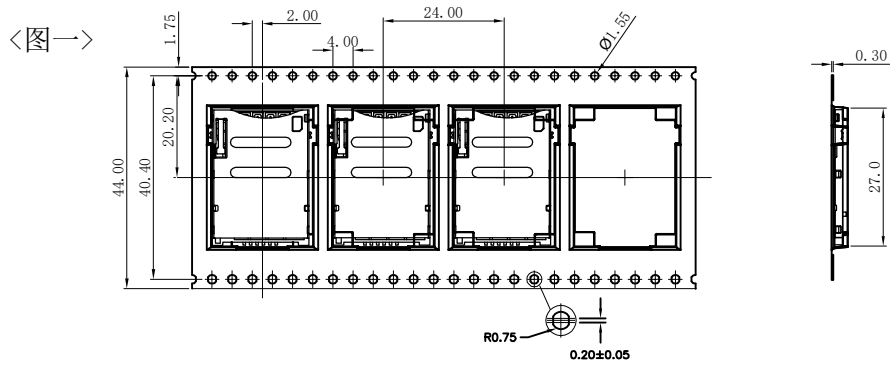
**JYSCOM**

Shenzhen

**JYSCONN Electronics Co., LTD.**

SHEET 1/2

REV.	ECN.NO.	MODIFY.CONTENT	DATE
A0		初版发行	2011.12.31

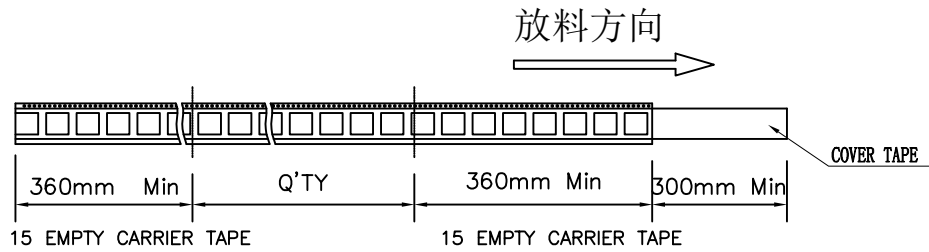


<图一>

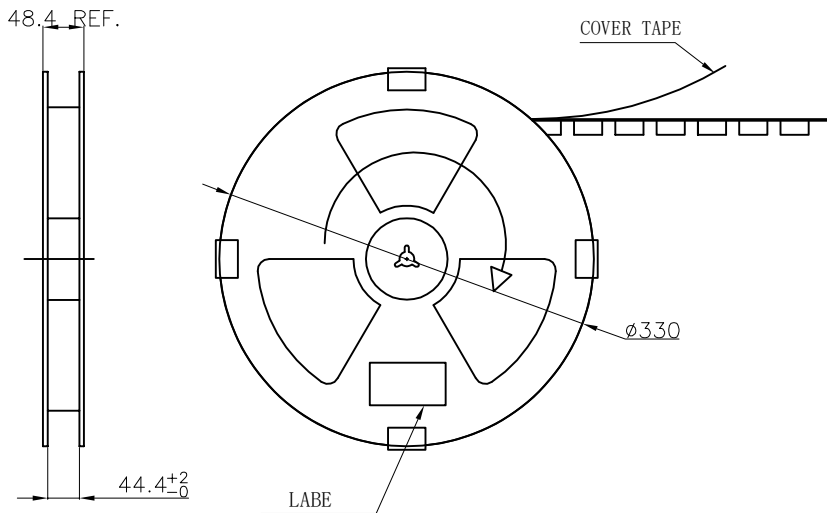
<图三>

<TABLE 1> PACKAGING QUANTITY

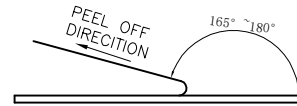
QTY/REEL	REEL/CARTON	QTY/CARTON
750	6	3300



<图二>

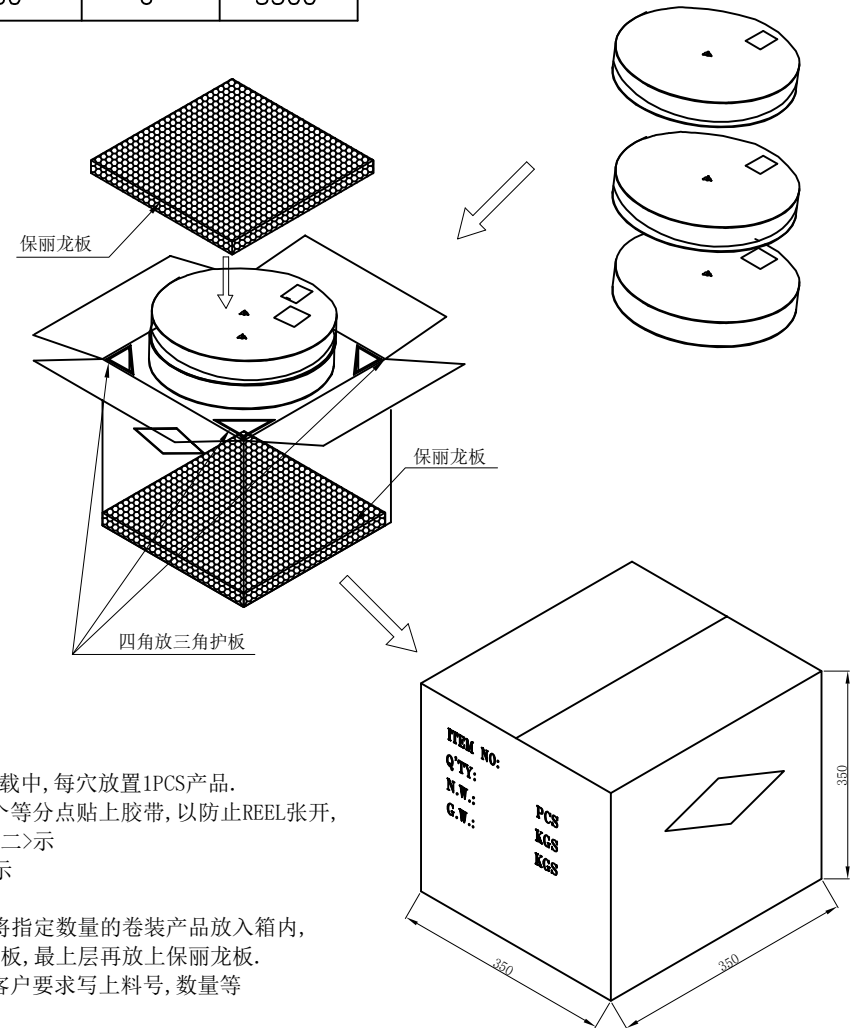


COVER TAPE PEELING FORCE: 50gf~150gf



NOTE:

1. 依<图一>示放置产品于下载中, 每穴放置1PCS产品.
2. 包装机包好后, 在REEL的个等分点贴上胶带, 以防止REEL张开, 每REEL贴1PCS标签, 如<图二>示
3. 包装数量见如<TABLE 1>示
4. 包装成箱见如<图三>示  
箱底放保丽龙板, 再依次将指定数量的卷装产品放入箱内, 四角分别放入四个三角护板, 最上层再放上保丽龙板.
5. 封箱, 在封好的纸箱上按客户要求写上料号, 数量等



GENERAL TOLERANCE		图号	设计	比例	1:1
X.±0.45	x.±5'	品名	SIM CARD PUSH PUSH 6P (顺向) TYPE2 包装图	审核	单位 mm
.X±0.35	.x±2'			核准	
.XX±0.25	.xx±1'	料号	JYS-SIM185-041	日期	2011/12/31
.XXX±0.15	.xxx±0.5'				
页号	2/2	Shenzhen <b>JYSCONN Electronics Co., LTD.</b>			